

LINK TABLE

DESCRIPTION

Link modernizes the classic pantograph task lamp, incorporating the most advanced LED lighting technology to date. Designed with a dual-purpose shade/handle, Link seamlessly balances performance and style to satisfy focused lighting needs in any environment. The wide range of Link models include medium and small table, floor, clamp, and wall mount options to accommodate all residential, office, and hospitality task lighting applications.

FIXTURE TYPE

Table

LIGHT SOURCE

(99x) High-output LED array

PRODUCT CODES

Link Medium Table (Silver):	LINK MED TBL SLV EU
Link Medium Table (White):	LINK MED TBL WHT EU
Link Medium Table (Black):	LINK MED TBL BLK EU
Link Medium Table (Orange):	LINK MED TBL ORG EU
Link Medium Table (Green):	LINK MED TBL GRN EU
Link Small Table (Silver):	LINK SML TBL SLV EU
Link Small Table (White):	LINK SML TBL WHT EU
Link Small Table (Black):	LINK SML TBL BLK EU
Link Small Table (Orange):	LINK SML TBL ORG EU
Link Small Table (Green):	LINK SML TBL GRN EU
Link USB (White)	LINK USB EU
Link Small Surface Mount:	Special order only
Link Medium Surface Mount:	Special order only

LIGHT CONTROL

Rocker switch (high, low, off)

FEATURES

- 360° rotation at base
- Full-range height adjustability
- 180° front to back head tilt
- Advanced LED array eliminates multiple shadows
- Ships flat-packed
- OCC model available upon request

SPECIFICATIONS

- Voltage: 120-240V 50-60Hz
- Power Consumption: 7.5W
- Color Temperature: 3000K
- Luminosity: 350 Lumens
- Luminaire efficacy: 47 Lumens/Watt
- Color Rendition Index: 90 CRI
- 50K hour lifespan
- Cable length: 8' (244cm)
- Global multi-plug adapter available
- 2 year warranty

CERTIFICATIONS



PACKAGING WEIGHT AND DIMENSIONS

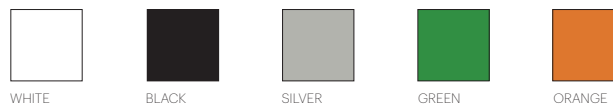
Link Small:	3.05LBS	33" X 6.5" X 4.5"
	1.4KGS	84cm X 17cm X 11cm
Link Medium:	3.25LBS	33" X 6.5" X 4.5"
	1.5KGS	84cm X 17cm X 11cm
Link Table Base:	7.65LBS	12.5" X 12" X 4"
	3.5KGS	32cm X 30cm X 10cm

NOTES

- Occupancy sensor model available upon request
- Custom requests can be considered on volume orders
- Link USB sold separately

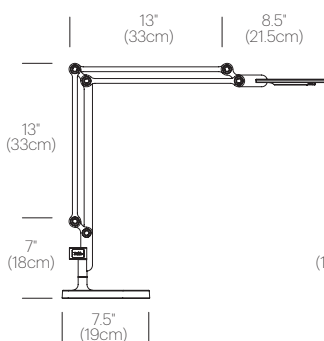


FINISHES

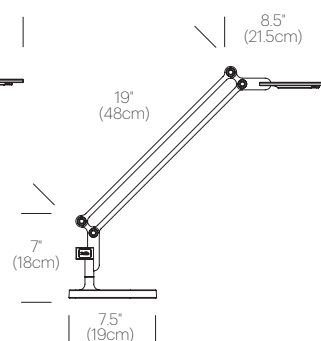


DIMENSIONS

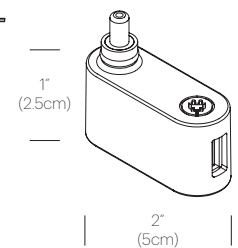
LINK MEDIUM TABLE



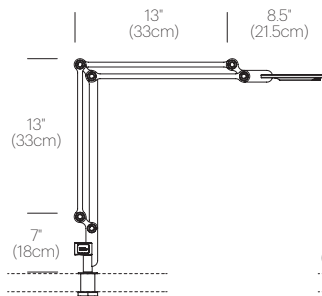
LINK SMALL TABLE



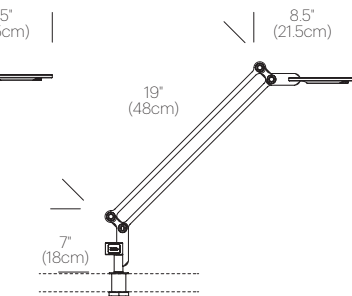
LINK USB PORT ADD-ON



LINK MEDIUM SURFACE MOUNT



LINK SMALL SURFACE MOUNT



SURFACE MOUNT AVAILABLE FOR 2-1/2" (5-3cm) AND 1.2-3" (3-7.6cm) WORKSURFACES

LINK CLAMP

DESCRIPTION

Link modernizes the classic pantograph task lamp, incorporating the most advanced LED lighting technology to date. Designed with a dual-purpose shade/handle, Link seamlessly balances performance and style to satisfy focused lighting needs in any environment. The wide range of Link models include medium and small table, floor, clamp, and wall mount options to accommodate all residential, office, and hospitality task lighting applications.

FIXTURE TYPE

Table

LIGHT SOURCE

(99x) High-output LED array

PRODUCT CODES

Link Medium Clamp (Silver):	LINK MED CLP SLV EU
Link Medium Clamp (White):	LINK MED CLP WHT EU
Link Medium Clamp (Black):	LINK MED CLP BLK EU
Link Medium Clamp (Orange):	LINK MED CLP ORG EU
Link Medium Clamp (Green):	LINK MED CLP GRN EU
Link Small Clamp (Silver):	LINK SML CLP SLV EU
Link Small Clamp (White):	LINK SML CLP WHT EU
Link Small Clamp (Black):	LINK SML CLP BLK EU
Link Small Clamp (Orange):	LINK SML CLP ORG EU
Link Small Clamp (Green):	LINK SML CLP GRN EU
Link USB (White)	LINK USB EU
Link Small Surface Mount:	Special order only
Link Medium Surface Mount:	Special order only

LIGHT CONTROL

Rocker switch (high, low, off)

FEATURES

- 360° rotation at base
- Full-range height adjustability
- 180° front to back head tilt
- Advanced LED array eliminates multiple shadows
- Hi-low dim control
- Ships flat-packed
- OCC model available upon request

SPECIFICATIONS

- Voltage: 120-240V 50-60Hz
- Power Consumption: 7.5W
- Color Temperature: 3000K
- Luminosity: 350 Lumens
- Luminaire efficacy: 47 Lumens/Watt
- Color Rendition Index: 90 CRI
- 50K hour lifespan
- Cable length: 8' (244cm)
- Global multi-plug adapter available
- 2 year warranty

CERTIFICATIONS



PACKAGING WEIGHT AND DIMENSIONS

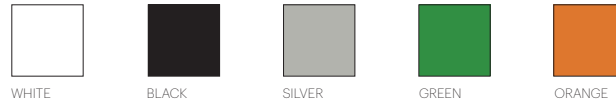
Link Clamp Small:	3.4LBS	33.5" X 7" X 4.5"
	1.5KGS	85cm X 18cm X 11cm
Link Clamp Medium:	3.6LBS	33" X 6.5" X 4.5"
	1.6KGS	84cm X 17cm X 11cm

NOTES

- Occupancy sensor model available upon request
- Custom requests can be considered on volume orders
- Link USB sold separately

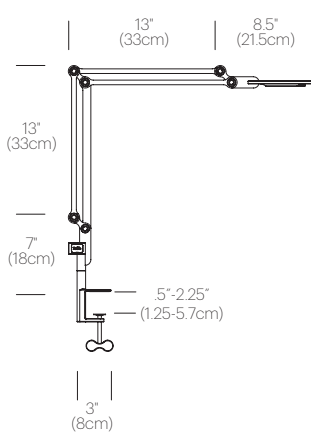


FINISHES

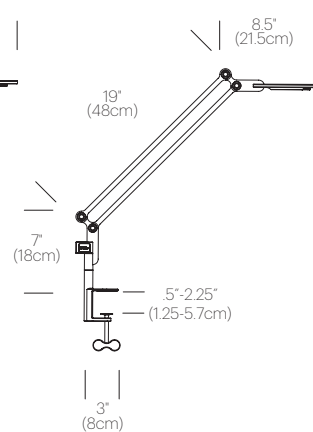


DIMENSIONS

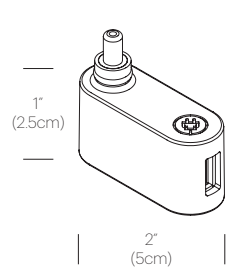
LINK MEDIUM CLAMP



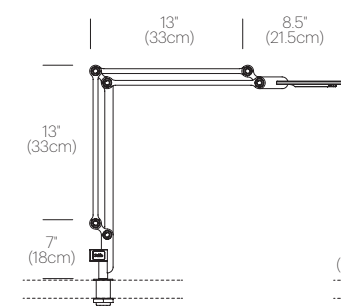
LINK SMALL CLAMP



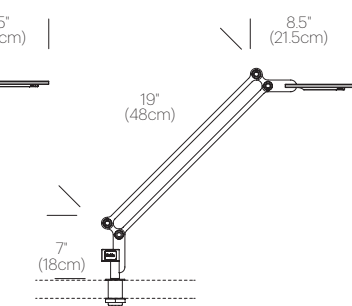
LINK USB PORT ADD-ON



LINK MEDIUM SURFACE MOUNT



LINK SMALL SURFACE MOUNT



SURFACE MOUNT AVAILABLE FOR 2-1/2" (5-3cm) AND 1-2-3" (3-7.6cm) WORKSURFACES

LINK FLOOR

DESCRIPTION

Link modernizes the classic pantograph task lamp, incorporating the most advanced LED lighting technology to date. Designed with a dual-purpose shade/handle, Link seamlessly balances performance and style to satisfy focused lighting needs in any environment. The wide range of Link models include medium and small table, floor, clamp, and wall mount options to accommodate all residential, office, and hospitality task lighting applications.

FIXTURE TYPE

Floor

LIGHT SOURCE

(99x) High-output LED array

PRODUCT CODES

Link Medium Floor (Silver):	LINK MED FLR SLV EU
Link Medium Floor (White):	LINK MED FLR WHT EU
Link Medium Floor (Black):	LINK MED FLR BLK EU
Link Medium Floor (Orange):	LINK MED FLR ORG EU
Link Medium Floor (Green):	LINK MED FLR GRN EU
Link Small Floor (Silver):	LINK SML FLR SLV EU
Link Small Floor (White):	LINK SML FLR WHT EU
Link Small Floor (Black):	LINK SML FLR BLK EU
Link Small Floor (Orange):	LINK SML FLR ORG EU
Link Small Floor (Green):	LINK SML FLR GRN EU
Link USB (White)	LINK USB EU

LIGHT CONTROL

Rocker switch (high, low, off)

FEATURES

- 360° rotation at base
- Full-range height adjustability
- 180° front to back head tilt
- Advanced LED array eliminates multiple shadows
- Ships flat-packed
- OCC model available upon request

SPECIFICATIONS

- Voltage: 120-240V 50-60Hz
- Power Consumption: 7.5W
- Color Temperature: 3000K
- Luminosity: 350 Lumens
- Luminaire efficacy: 47 Lumens/Watt
- Color Rendition Index: 90 CRI
- 50K hour lifespan
- Cable length: 8' (244cm)
- Global multi-plug adapter available
- 2 year warranty

CERTIFICATIONS



PACKAGING WEIGHT AND DIMENSIONS

Link Small:	3.05LBS	33" X 6.5" X 4.5"
	1.4KGS	84cm X 17cm X 11cm
Link Medium:	3.25LBS	33" X 6.5" X 4.5"
	1.5KGS	84cm X 17cm X 11cm
Link Floor Base:	10.1LBS	12.5" X 12" X 1.5"
	4.6KGS	32cm X 30cm X 4cm

NOTES

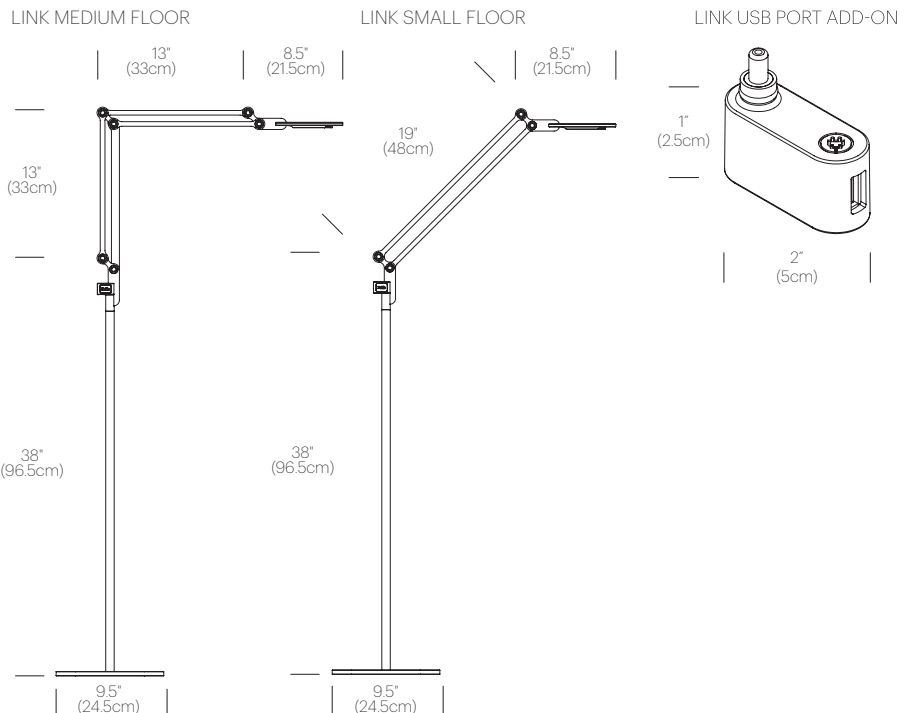
- Occupancy sensor model available upon request
- Custom requests can be considered on volume orders
- Link USB sold separately



FINISHES



DIMENSIONS



LINK WALL

DESCRIPTION

Link modernizes the classic pantograph task lamp, incorporating the most advanced LED lighting technology to date. Designed with a dual-purpose shade/handle, Link seamlessly balances performance and style to satisfy focused lighting needs in any environment. The wide range of Link models include medium and small table, floor, clamp, and wall mount options to accommodate all residential, office, and hospitality task lighting applications.

FIXTURE TYPE

Wall

LIGHT SOURCE

(99x) High-output LED array

PRODUCT CODES

Link Medium Wall (Silver):	LINK MED WAL SLV EU
Link Medium Wall (White):	LINK MED WAL WHT EU
Link Medium Wall (Black):	LINK MED WAL BLK EU
Link Medium Wall (Orange):	LINK MED WAL ORG EU
Link Medium Wall (Green):	LINK MED WAL GRN EU
Link Small Wall (Silver):	LINK SML WAL SLV EU
Link Small Wall (White):	LINK SML WAL WHT EU
Link Small Wall (Black):	LINK SML WAL BLK EU
Link Small Wall (Orange):	LINK SML WAL ORG EU
Link Small Wall (Green):	LINK SML WAL GRN EU
Link USB (White)	LINK USB EU

LIGHT CONTROL

Rocker switch (high, low, off)

FEATURES

- 180° rotation at base
- Full-range height adjustability
- 180° front to back head tilt
- Advanced LED array eliminates multiple shadows
- Ships flat-packed
- OCC model available upon request

SPECIFICATIONS

- Voltage: 120-240V 50-60Hz
- Power Consumption: 7.5W
- Color Temperature: 3000K
- Luminosity: 350 Lumens
- Luminaire efficacy: 47 Lumens/Watt
- Color Rendition Index: 90 CRI
- 50K hour lifespan
- Cable length: 8' (244cm)
- Global multi-plug adapter available
- 2 year warranty

CERTIFICATIONS



PACKAGING WEIGHT AND DIMENSIONS

Link Wall Small:	3.4LBS	33.5" X 7" X 4.5"
	1.5KGS	85cm X 18cm X 11cm
Link Wall Medium:	3.6LBS	33" X 6.5" X 4.5"
	1.6KGS	84cm X 17cm X 11cm

NOTES

- Occupancy sensor model available upon request
- Custom requests can be considered on volume orders
- Link USB sold separately



FINISHES



WHITE



BLACK



SILVER



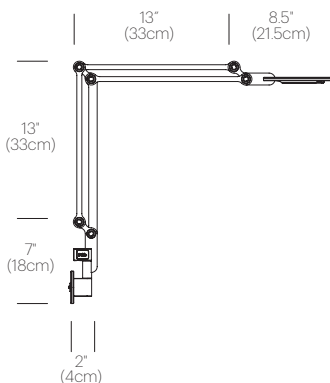
GREEN



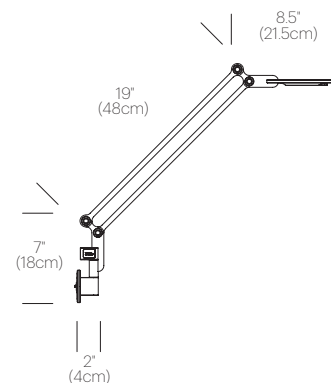
ORANGE

DIMENSIONS

LINK MEDIUM WALL



LINK SMALL WALL



LINK USB PORT ADD-ON

