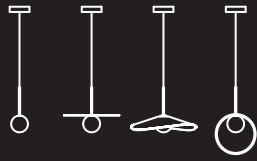


Bola Pendant Collection Installation Guide



Pablo®

PAGE 1/4

CAUTION - WE RECOMMEND THIS FIXTURE BE INSTALLED BY A LICENSED ELECTRICIAN.

BEFORE ASSEMBLING AND INSTALLING THIS PRODUCT, CAREFULLY READ THE FOLLOWING:

- When installing multiple lamps; these fixtures must be wired in parallel in order to achieve the best possible light quality from each lamp. Wiring in series will result in the progressive loss of performance as the lamps move further away from the building power.
- Switch off power to the junction box before installing the lamp.
- Move light switch into the OFF position.
- When mounting to the ceiling, always use appropriate anchoring hardware.
- This lamp is for indoor use only, excluding bathrooms or any type of humid environment.
- We recommend reading the guide before you begin installation.
- Installation Guides can be downloaded from Pablodesigns.com in the case this document is lost or damaged.
- Do not disassemble, modify or try to repair this fixture! In order to receive technical assistance contact Pablo Designs. Any modification to the fixture will nullify the manufacturer's warranty.

IMPORTANT INFORMATION ABOUT MATERIALS/FINISHES:

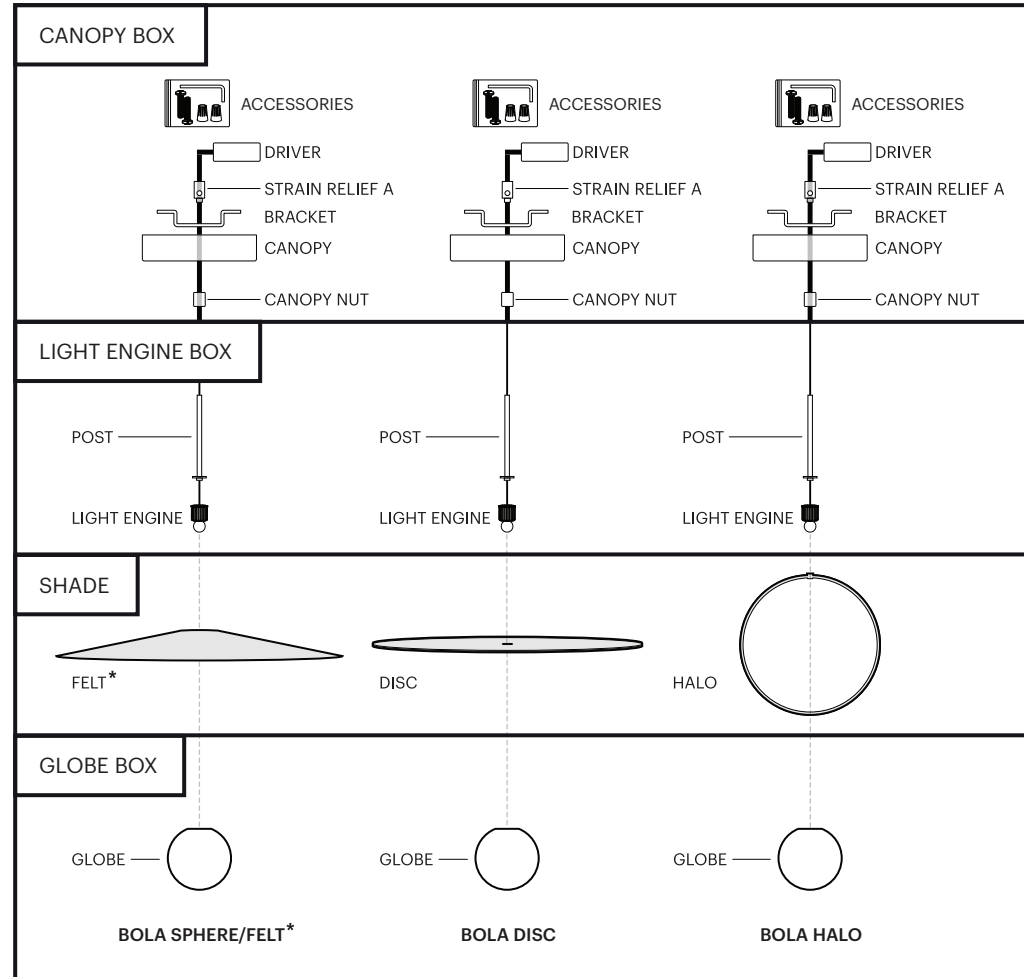
- Glass is a material which is fragile and can be easily damaged when mishandled.
- One of the main characteristics of Opal glass is that it is hand blown. Small imperfections like; air bubbles, thickness variations, or scratches can occur during the production process. These imperfections underline the craftsmanship, the exclusivity and authenticity of hand blown Opal glass.
- The anodizing and PVD process can result in slight variations in color intensity, we do our best to batch like parts, but slight variations may still remain among part sets.

CLEANING INSTRUCTIONS:

- Use only a soft cloth to clean this fixture, dampened with water or mild cleanser if required, DO NOT use alcohol, solvents, or other abraive cleaners, as this could damage the lamp finish.

Contents

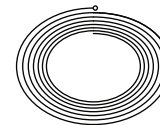
BOLA PENDANTS SHIP IN MULTIPLE BOXES IN ORDER TO ENSURE THE SAFETY OF ALL COMPONENTS.



TECHNICAL SPECIFICATIONS

	POWER - LUMINOSITY - COLOR TEMP	DRIVER INPUT	DRIVER OUTPUT	DRIVER LOAD
BOLA 4.5 UNV. DTW (DISC 12,18, HALO 12)	6W - 290 lm - 2700-1800K DTW	120-277VAC, 0.06A 50/60Hz	300mA CC	10-20V, 40VDC LED, 6W MAX
BOLA 6 UNV. DTW (DISC 22, FELT 24, HALO 18)	12W - 800 lm - 2700-1800K DTW	120-277VAC, 0.12A 50/60Hz	350mA CC	15-34V, 42VDC LED, 12W MAX
BOLA 8,10,12,16 UNV. DTW (DISC 32, FELT 32,42,52, HALO 22)	20W - 1710 lm - 2700-1800K DTW	120-277VAC, 0.22A 50/60Hz	600mA CC	20-36V, LED, 22W MAX
BOLA 4.5 US. CCT (DISC 12,18, HALO 12)	6W - 290 lm - 3000K CCT	120-277VAC, 0.08A 50/60Hz	200mA CC	20-40V, 40VDC LED
BOLA 6 US. CCT (DISC 22, FELT 24, HALO 18)	12W - 800 lm - 3000K CCT	120-277VAC, 0.15A 50/60Hz	350mA CC	20-42V, 42VDC LED
BOLA 8,10,12,16 US. CCT (DISC 32, FELT 32,42,52, HALO 22)	20W - 1710 lm - 3000K CCT	120-277VAC, 0.2A 50/60Hz	500mA CC	20-42V, LED,

STEEL CABLE



STRAIN RELIEF B



FOR BOLA DISC 32 AND BOLA FELT 32, 42, 52; A STEEL SUPPORT CABLE KIT WILL BE INCLUDED.

IF THERE ARE MISSING OR DAMAGED PARTS, PLEASE CONTACT US AS SOON AS POSSIBLE TO FILE A REPORT. CLEAR PHOTOS AND DESCRIPTIONS WILL ENABLE OUR CUSTOMER SERVICE TEAM TO QUICKLY AND EFFECTIVELY ADDRESS YOUR CLAIM.

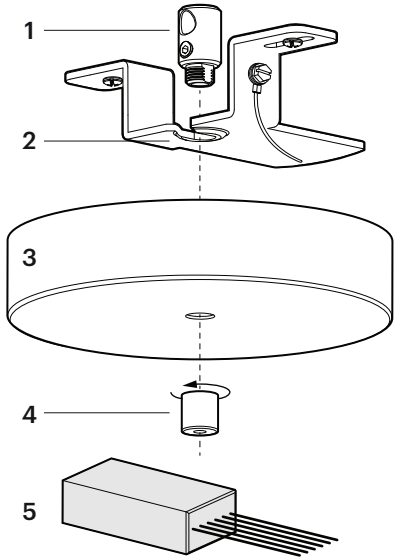
(415) 865-5000
888 MARIN STREET
SAN FRANCISCO, CA 94124
INFO@PABLODESIGNS.COM
[INFO@PABLODESIGNS.EU]

Bola Pendant Collection Installation Guide

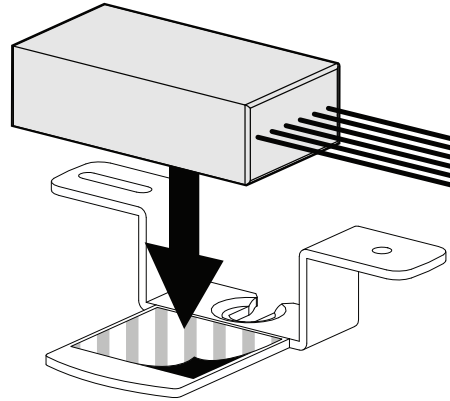
Pablo®

PAGE 2/4

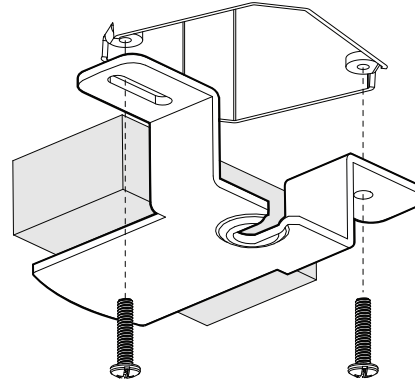
1 Remove the contents of the canopy box and separate key items.



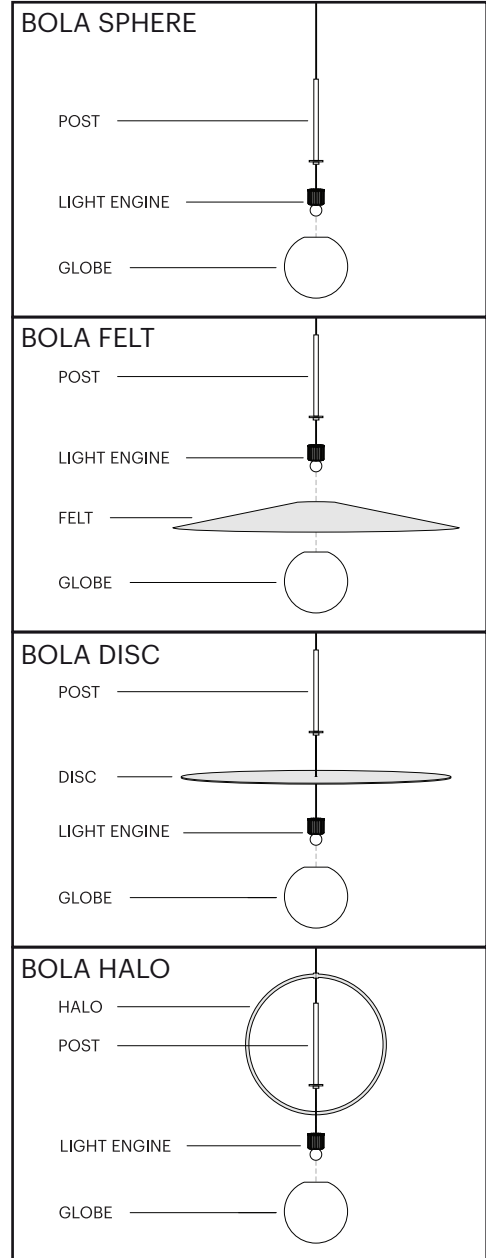
2 Peel protective later from VHB tape (included) and secure DRIVER to MOUNT BRACKET.



3 Secure MOUNT BRACKET to junction box using appropriate anchoring hardware (included).



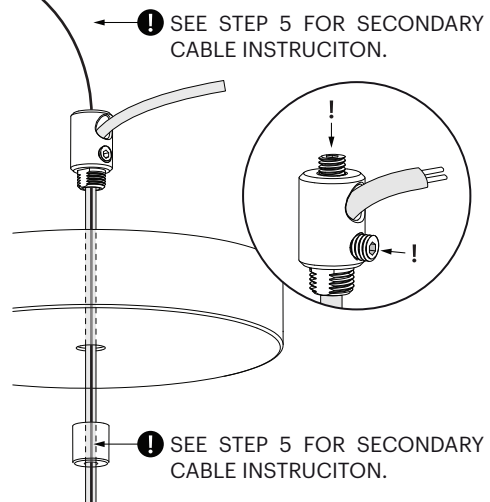
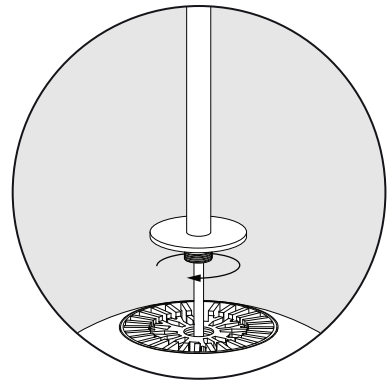
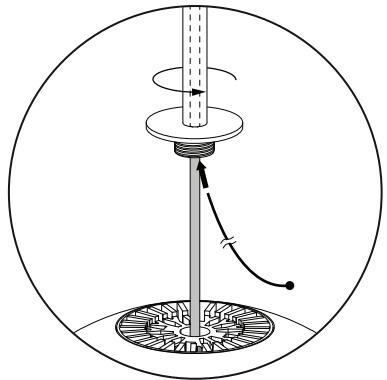
4 Weave power cord from LIGHT ENGINE through all necessary parts based on lamp model. FIG. 01



5 THIS STEP IS ONLY FOR BOLA DISC 32 OR BOLA FELT 32,42,52. FOR OTHER LAMP VARIANTS, MOVE ON TO STEP 6.

6 Thread POST onto LIGHT ENGINE. (NOTE! For Bola Disc; DISC will be trapped in between POST and LIGHT ENGINE. See FIG. 01).

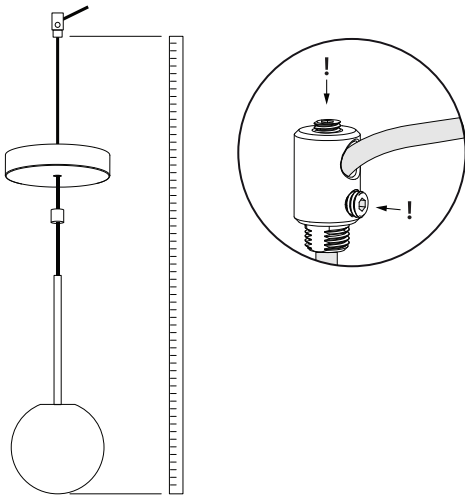
7 Unthread both set screws using included hex tool. Weave cable(s) through CANOPY NUT, CANOPY, AND STRAIN RELIEF.



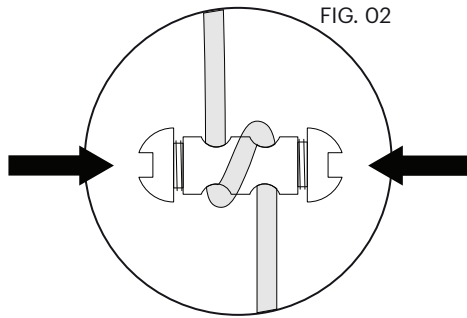
Feed Steel cable (included) through the POST until the crimped ball end bottoms out.

Bola Pendant Collection Installation Guide

- 8** Set desired lamp height and secure STRAIN RELIEF A (NOTE: thread both set screws using included hex tool).

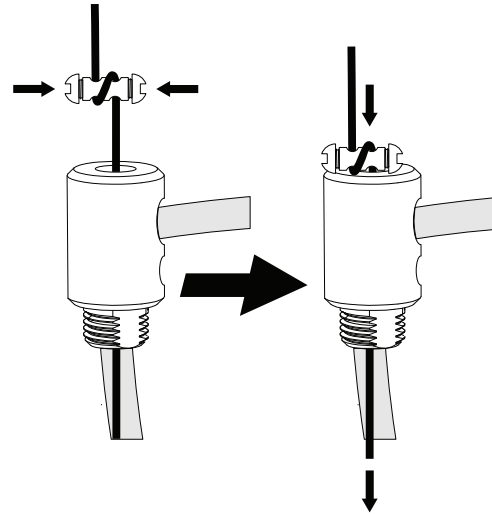


If employing SECONDARY CABLE, add included STRAIN RELIEF B now. Feed cable through both holes and tighten screws as demonstrated in Figure 02.

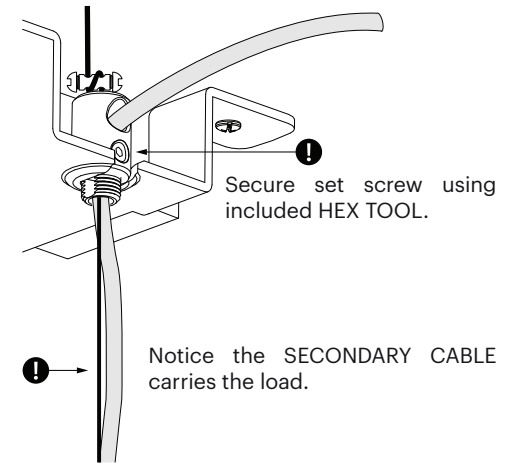


The location of STRAIN RELIEF B will determine the lamp's hang height.

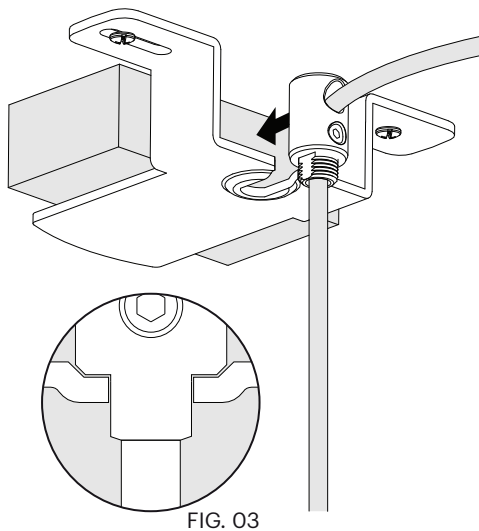
Pull SECONDARY CABLE down through STRAIN RELIEF A until it stops.



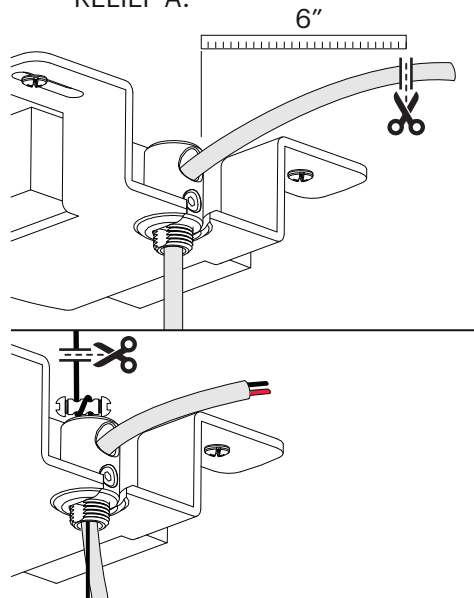
Place assembly onto the BRACKET and adjust the FABRIC POWER CABLE until desired appearance is reached.



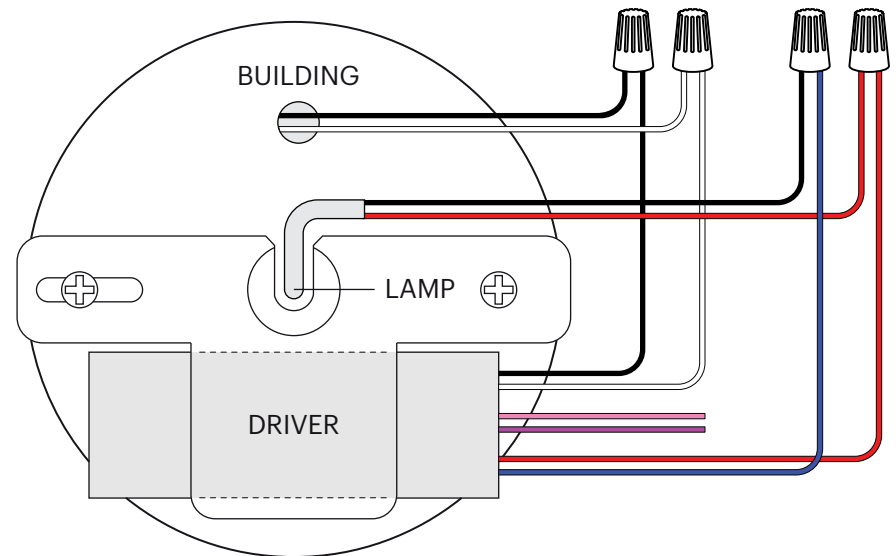
- 9** Set STRAIN RELIEF A onto MOUNT BRACKET ensuring parts nest properly (see Figure 03).



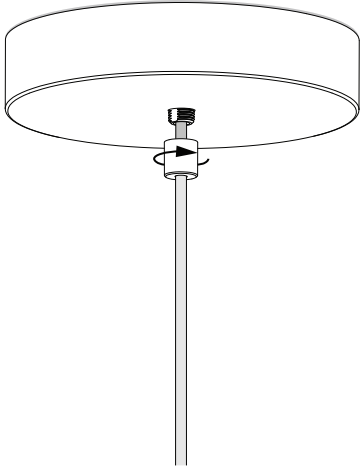
- 10** Trim excess cable(s). For the power cable, cut 6" from STRAIN RELIEF A.



- 11** Wire DRIVER to BUILDING (black to black/white to white). Wire DRIVER to LAMP (black to blue/red to red). Pink(-) and purple(+) wires are intended for use in 0-10V dimming installations.



12 Once wiring is complete and lamp has been tested, secure CANOPY COVER with CANOPY NUT.



13 Carefully thread GLOBE DIFFUSER onto the LIGHT ENGINE. (Note: the FELT SHADE must be placed onto lamp before adding the GLOBE DIFFUSER).

